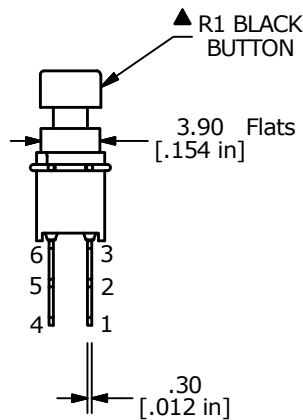
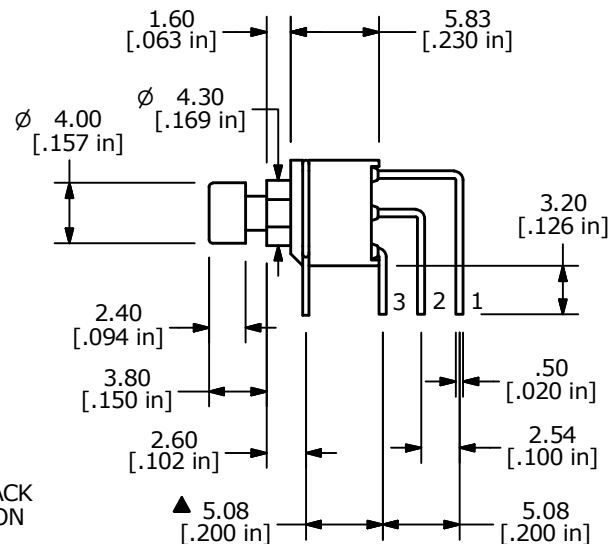
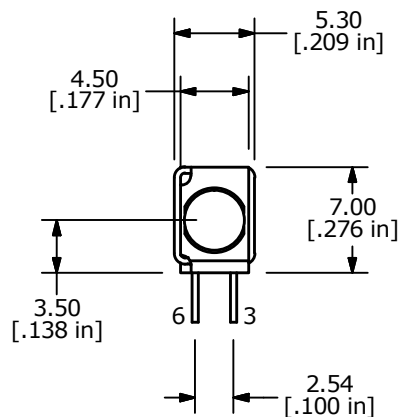


SWITCH FUNCTION	
POS. 1	POS. 2
ON	(ON)
2-3; 5-6	2-1; 5-4

(ON)=MOMENTARY

NOTE:

1. ALL DIMENSIONS IN MM [INCH]
2. GENERAL TOLERANCE: X.X = ±0.4
X.XX = ±0.25
3. TERMINAL NUMBERS FOR REF ONLY
- ▲ 4. CONTACTS: GOLD PLATED
5. TRAVEL: 1.0mm
6. RATING: 0.4 VA max. @ 20V AC or DC max.
7. CONTACT RESISTANCE: <100 MILLI-OHM
8. ELECTRICAL LIFE: 6,000 MAKE-AND-BREAK CYCLES.
9. INSULATION RESISTANCE: 500 MOHM @ 500VDC min.
10. DIELECTRIC STRENGTH: 500 V RMS @SEA LEVEL.
11. OPERATING TEMP.: -30°C to 85°C
12. ▲ DENOTES CRITICAL PARAMETER.
13. SEAL RATING: IP67
14. 2011/65/EU (ROHS) COMPLIANT



B	23148	drawing update	12/27/17	MW
A	21940	New Release	8/3/15	rc
REV	PCR NO	DESCRIPTION	DATE	BY

TITLE 800UDP8P1A1M7RER1BLK				
SCALE 2:1	DATE 7/27/2015	DR rc	DWG T850008	REV B

THE INFORMATION CONTAINED IN THIS DOCUMENT IS PROPRIETARY TO E-SWITCH AND IS NOT TO BE COPIED OR TRANSFERRED